

Catalina

PRODUCT CODE: TS 2719 GWS
APRON FRONT, SINGLE BOWL
FIRECLAY KITCHEN SINK

STANDARD COLOR:
GLOSSY WHITE



FEATURES

- ❖ Fine fireclay construction (solid wall)
- ❖ Sink is finished/glazed on all four sides
- ❖ 3-1/2" center drain
- ❖ Stainless steel bottom sink rack and chrome strainer sold separately
- ❖ Garbage disposal compatible with standard flanges; extenders not required
- ❖ Requires support frame in cabinetry
- ❖ Requires a minimum 30 inch wide base cabinet for apron-front sinks

DIMENSIONS: NOMINAL DIMENSIONS (OUTSIDE)
27" x 19" x 10"

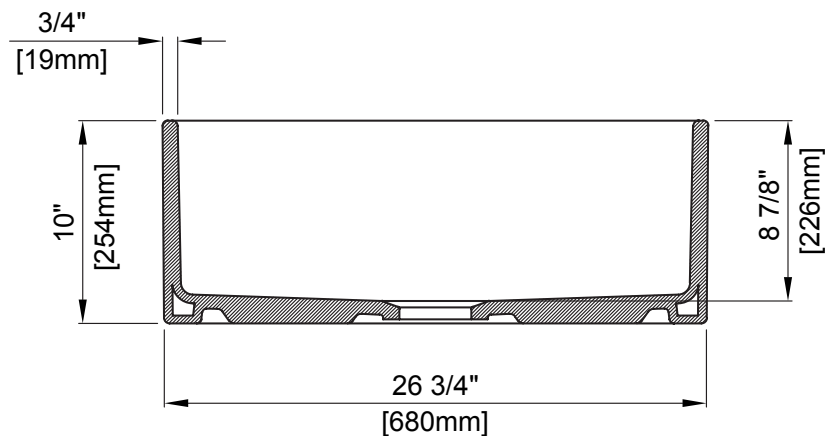
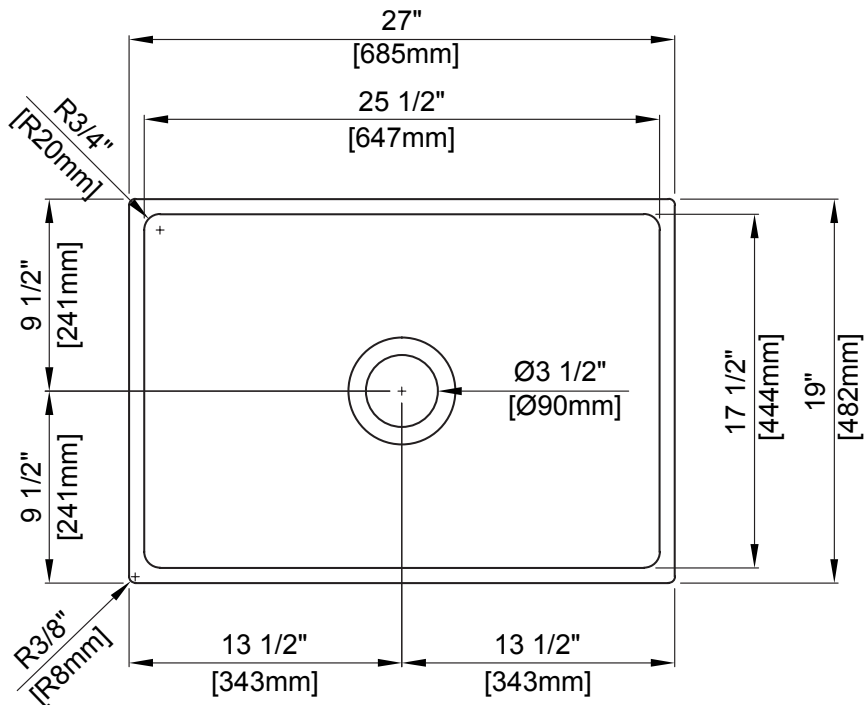
INSIDE BOWL DIMENSIONS
25 1/2" (647mm) wide
17 1/2" (444mm) front to back
8 7/8" (226mm) depth

COMPONENTS INCLUDED THE BOX: SINK ONLY

COMPLIANCE CERTIFICATIONS: Meets or Exceeds ASME A112.19.2 / CSA B45.1

COMPATIBLE ACCESSORIES: Stainless Steel Sink Grid TG2719GSS (sold separately)
Stainless Steel Kitchen Sink Strainer TLST (sold separately)

DIMENSIONS



NOTES:

Refer to installation instructions supplied with kitchen sink for undermount, countertop or above counter custom installations.

Due to the fireclay process, dimensions may vary.

Please use the actual sink that you will be installing in order to determine the cutout dimensions for your countertop.

CAUTION: Sink is heavy! Installer must provide adequate reinforcement for all load-bearing supports in accordance with installation instructions supplied with kitchen sink. Fittings not included with fixture and must be ordered separately.

IMPORTANT: Dimensions of fixtures are nominal and may vary within the range of tolerance established by ANSI standards. These measurements are subject to change or cancellation. No responsibility is assumed for use of superseded or voided pages.